

Part 5



***Parts
Catalog***

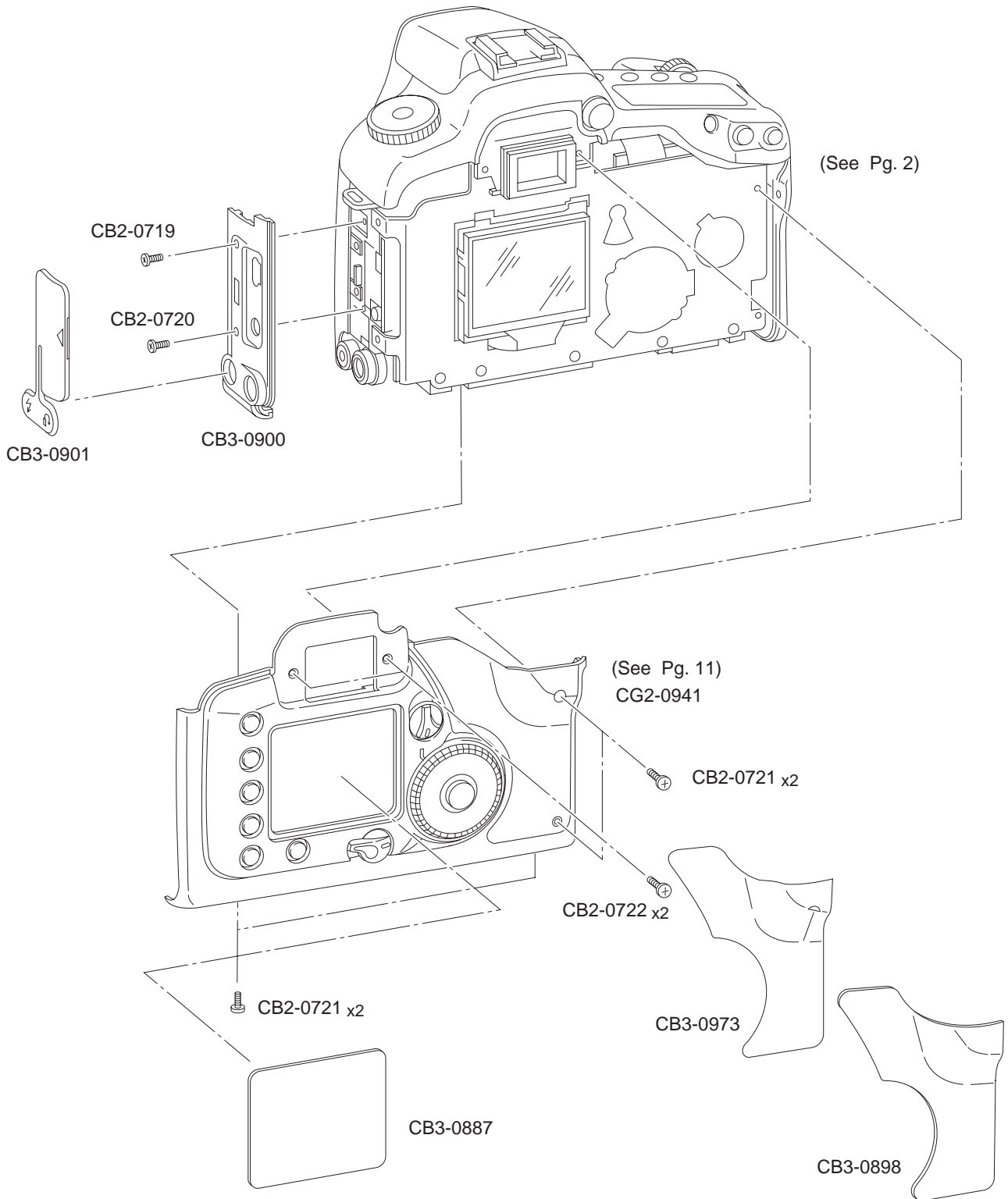
Canon

EOS 10D

C12-6031

**PARTS
CATALOG**

CANON DIGITAL CAMERA EOS 10D



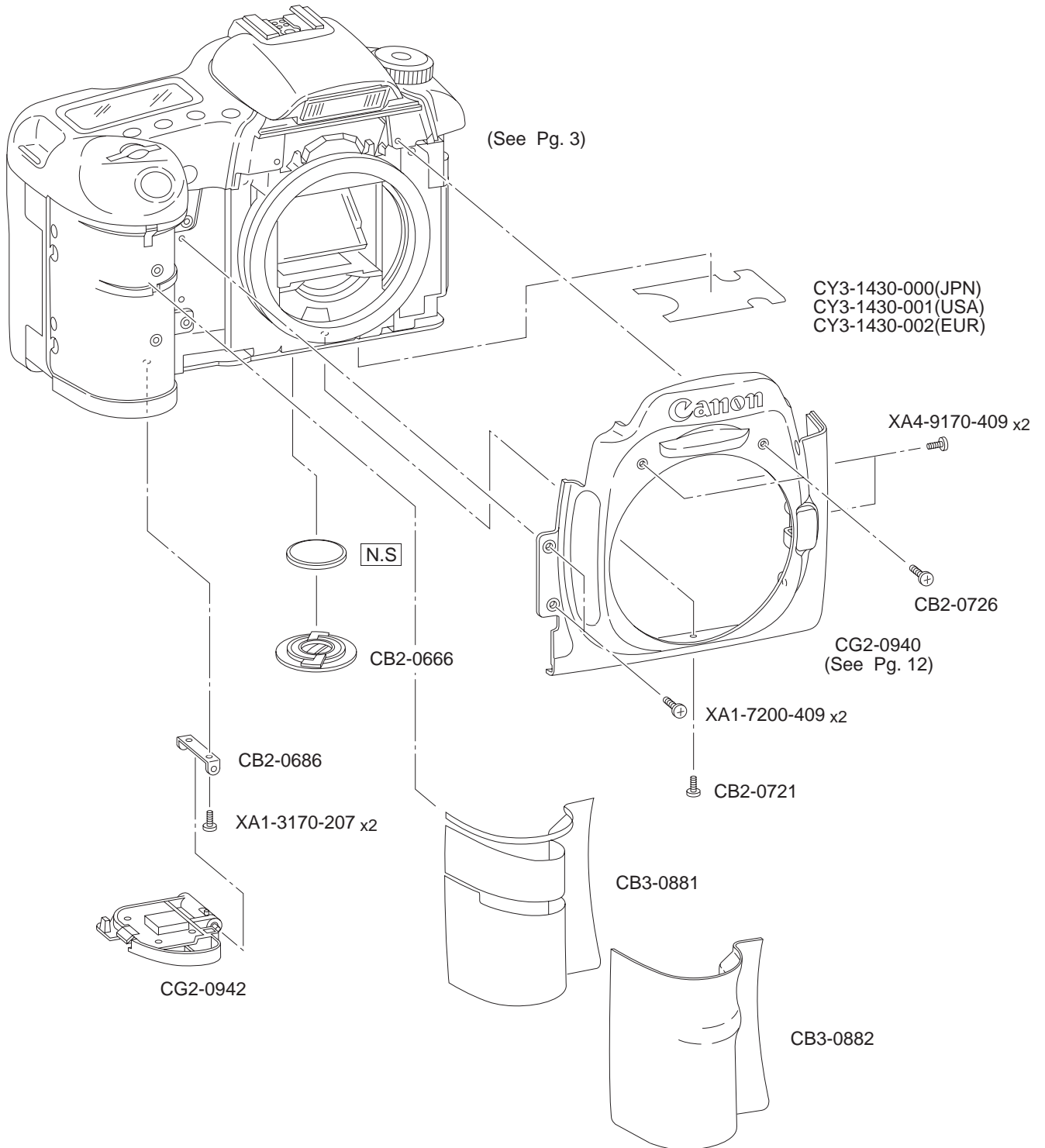
PARTS LIST

REF.NO.C12-6031

PG1

| NEW PARTS No. | CLASS | QTY | DESCRIPTION |
|----------------|-------|-----|-------------------------|
| CB2-0719-000 | F | 1 | SCREW |
| CB2-0720-000 | F | 1 | SCREW |
| CB2-0721-000 | F | 4 | SCREW |
| CB2-0722-000 | F | 1 | SCREW |
| * CB3-0887-000 | B | 1 | WINDOW, TFT LCD |
| * CB3-0898-000 | B | 1 | RUBBER, BACK |
| * CB3-0900-000 | B | 1 | COVER, DIGITAL TERMINAL |
| * CB3-0901-000 | B | 1 | CAP, DIGITAL TERMINAL |
| * CB3-0973-000 | B | 1 | TAPE, BACK RUBBER |
| * CG2-0941-000 | B | 1 | COVER ASS'Y, BACK |

CANON DIGITAL CAMERA EOS 10D



PARTS LIST

REF.NO.C12-6031

PG2

| NEW PARTS No. | CLASS | QTY | DESCRIPTION |
|----------------|-------|-----|--------------------------|
| CB2-0666-000 | C | 1 | COVER, DATE BATTERY |
| CB2-0686-000 | C | 1 | HINGE, B-DOOR |
| CB2-0721-000 | F | 1 | SCREW |
| CB2-0726-000 | F | 2 | SCREW |
| * CB3-0881-000 | B | 1 | TAPE, GRIP |
| * CB3-0882-000 | B | 1 | RUBBER, GRIP |
| * CG2-0940-000 | B | 1 | COVER ASS'Y, FRONT |
| * CG2-0942-000 | B | 1 | DOOR ASS'Y, MAIN BATTERY |
| * CY3-1430-000 | C | 1 | LABEL, NAME NTSC JPN |
| * CY3-1430-001 | C | 1 | LABEL, NAME NTSC USA |
| * CY3-1430-002 | C | 1 | LABEL, NAME PAL EUR |
| XA1-3170-207 | F | 2 | SCREW |
| XA1-7200-409 | F | 2 | SCREW |
| XA4-9170-409 | F | 2 | SCREW |

PARTS LIST

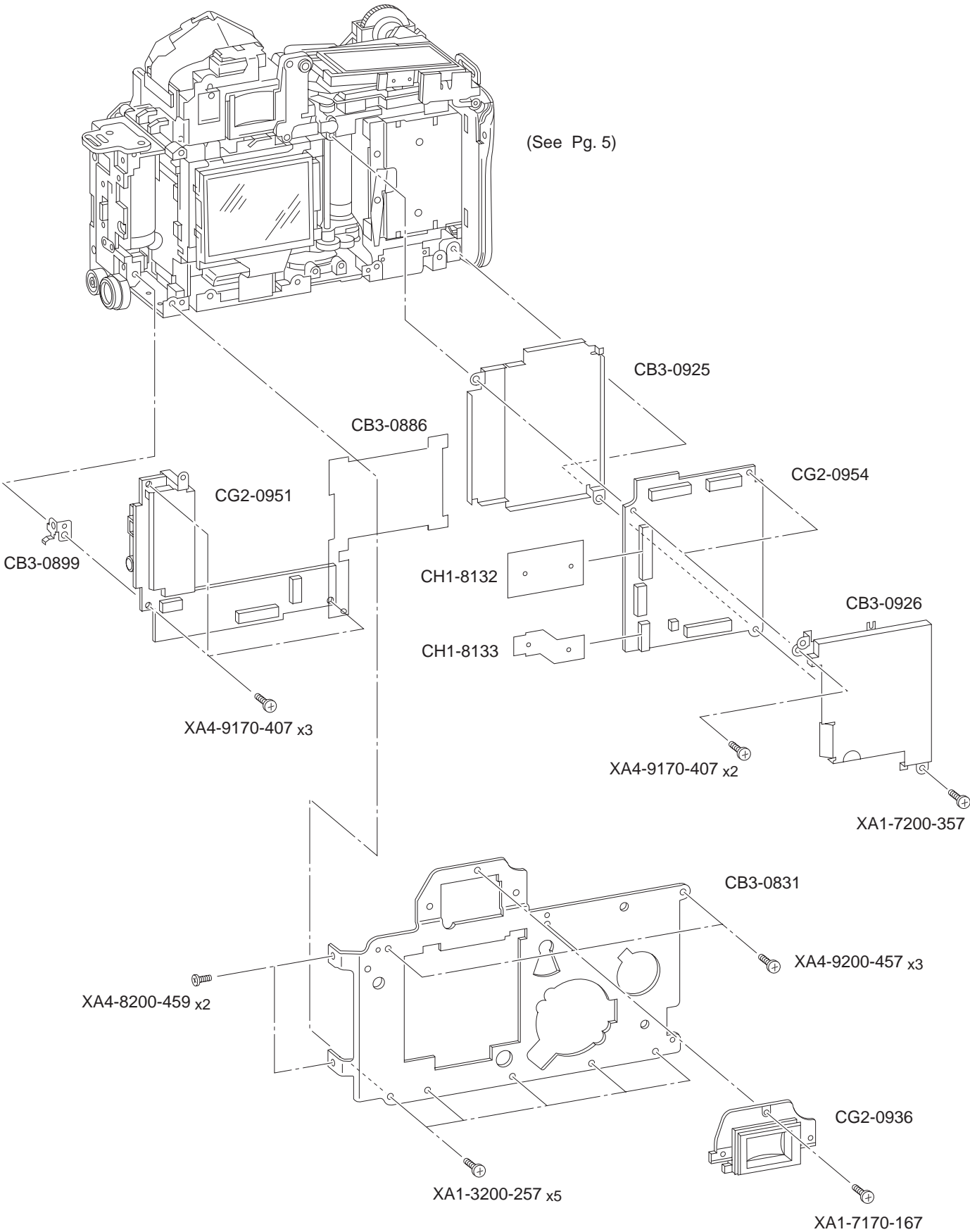
REF.NO.C12-6031

PG3

| NEW PARTS No. | CLASS | QTY | DESCRIPTION |
|----------------|-------|-----|---------------------|
| CB2-0614-000 | F | 1 | SCREW |
| CB2-0661-000 | C | 1 | DOOR, CABLE |
| CB2-0721-000 | F | 3 | SCREW |
| CB2-0723-000 | F | 1 | SCREW |
| * CB3-0824-000 | C | 1 | COVER, BOTTOM |
| * CB3-0837-000 | C | 1 | KNOB, DIOPTER ADJ. |
| * CB3-0845-000 | B | 1 | WINDOW, LCD DISPLAY |
| * CG2-0937-000 | C | 1 | GRIP ASS'Y |
| * CG2-0938-000 | B | 1 | COVER ASS'Y, TOP |
| FC2-9551-000 | F | 2 | SCREW |
| XA1-7200-409 | F | 2 | SCREW |
| XA4-9170-409 | F | 2 | SCREW |
| XA4-9170-457 | F | 3 | SCREW |

CANON DIGITAL CAMERA EOS 10D

(See Pg. 5)



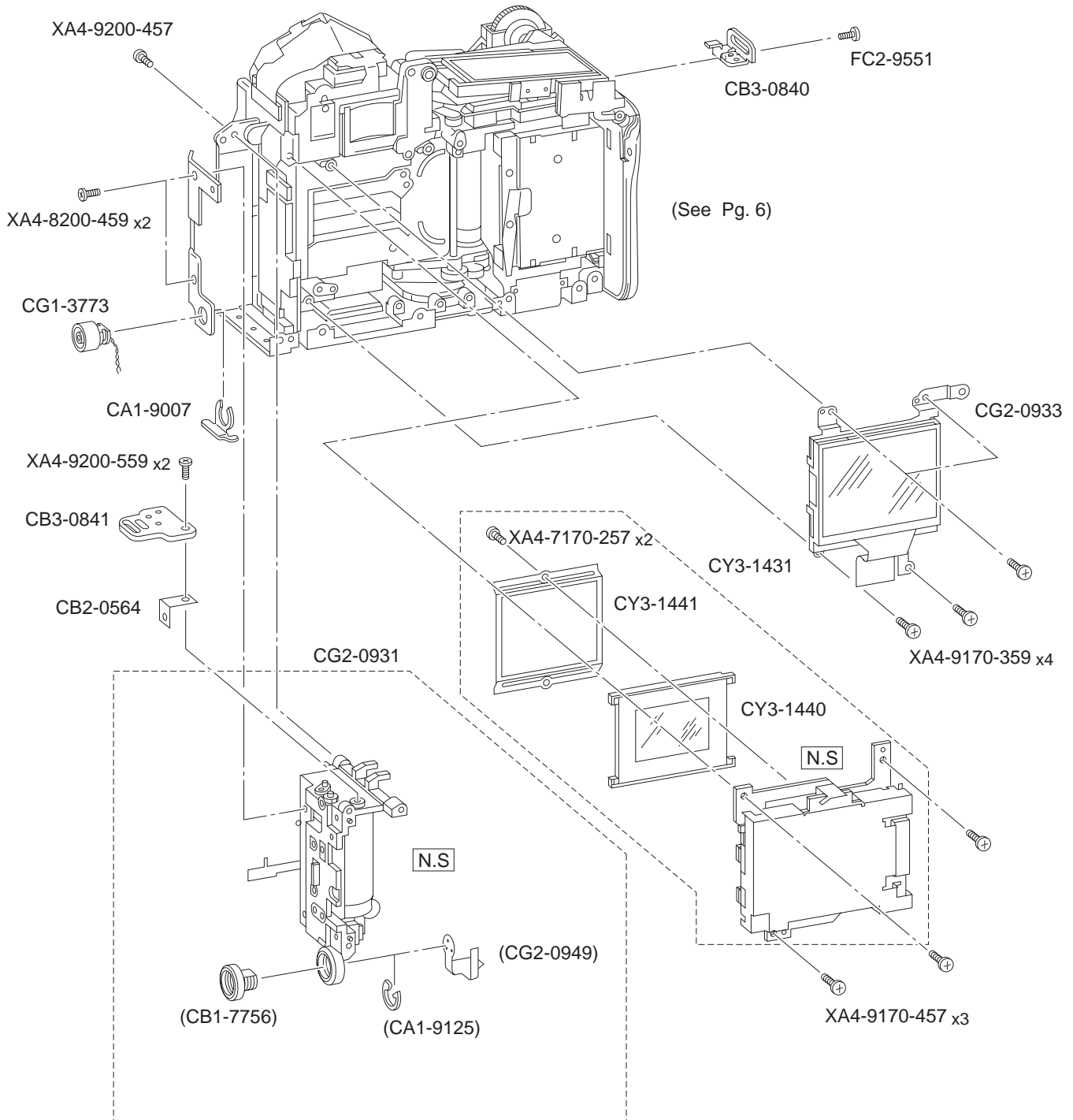
PARTS LIST

REF.NO.C12-6031

PG4

| NEW PARTS No. | CLASS | QTY | DESCRIPTION |
|----------------|-------|-----|-----------------------|
| * CB3-0831-000 | C | 1 | FRAME, REAR |
| * CB3-0886-000 | B | 1 | SHEET, DA SHIELD |
| * CB3-0899-000 | C | 1 | LUG, REMOTE CONTROL |
| * CB3-0925-000 | N | 1 | CASE, D PCB SHIELD2 |
| * CB3-0926-000 | N | 1 | CASE, D PCB SHIELD1 |
| * CG2-0936-000 | C | 1 | COVER ASS'Y, EYEPIECE |
| * CG2-0951-000 | B | 1 | PCB ASS'Y, TFT |
| * CG2-0954-000 | B | 1 | PCB ASS'Y, DIGITAL |
| * CH1-8132-000 | C | 1 | FPC, DIGITAL-ANALOGUE |
| * CH1-8133-000 | C | 1 | FPC, DIGITAL-TFT |
| XA1-3200-257 | F | 5 | SCREW |
| XA1-7170-167 | F | 1 | SCREW |
| XA1-7200-357 | F | 1 | SCREW |
| XA4-8200-459 | F | 2 | SCREW |
| XA4-9170-407 | F | 5 | SCREW |
| XA4-9200-457 | F | 3 | SCREW |

CANON DIGITAL CAMERA EOS 10D



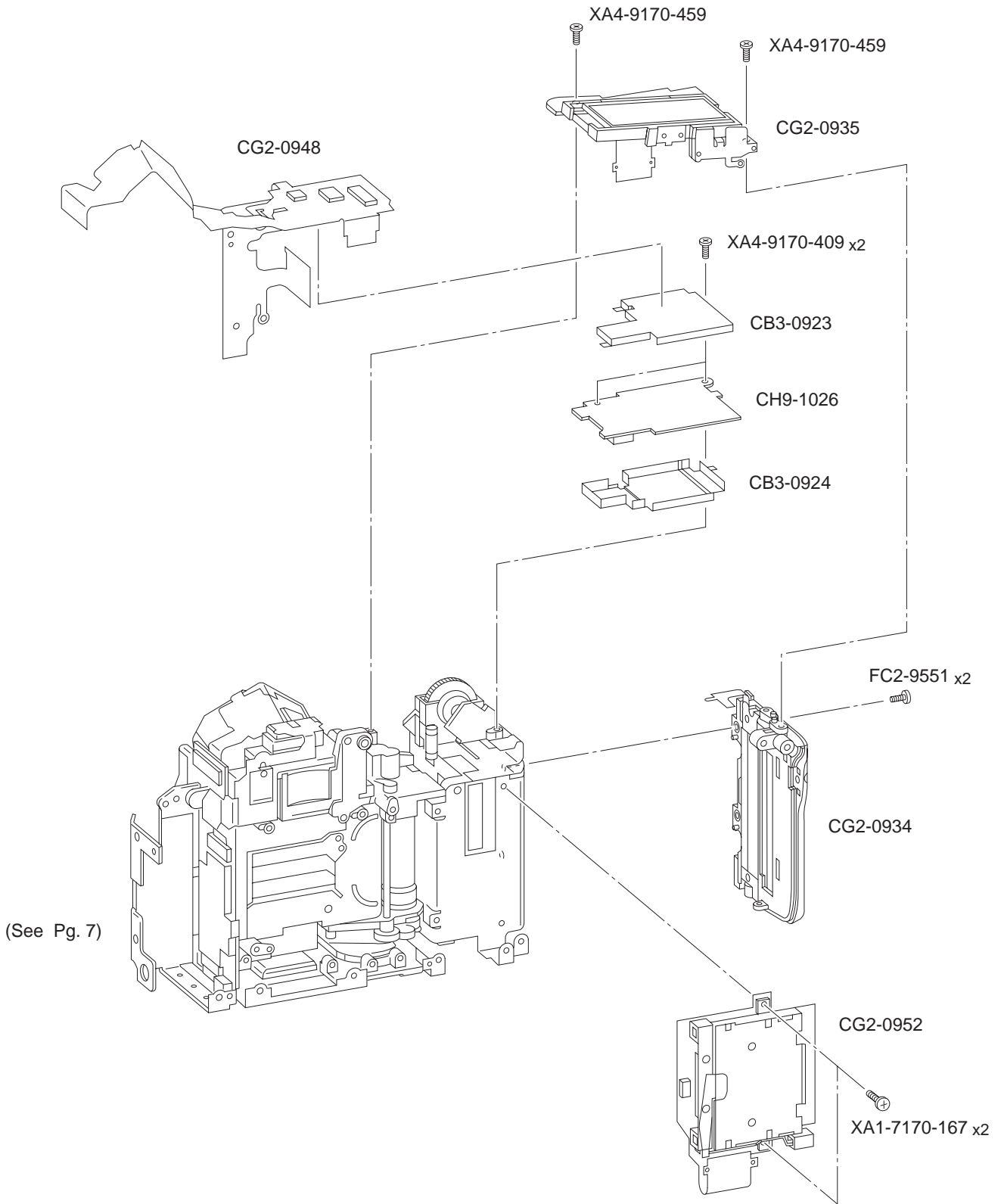
PARTS LIST

REF.NO.C12-6031

PG5

| NEW PARTS No. | CLASS | QTY | DESCRIPTION |
|----------------|-------|-----|------------------------|
| CA1-9007-000 | C | 1 | STOPPER, PC TERMINAL |
| CA1-9125-000 | C | 1 | STOPPER, RT TERMINAL |
| CB1-7756-000 | C | 1 | CONNECTOR, REMOTE |
| CB2-0564-000 | C | 1 | LUG, NECK |
| * CB3-0840-000 | C | 1 | HOLDER, STRAP RIGHT |
| * CB3-0841-000 | C | 1 | HOLDER, STRAP LEFT |
| CG1-3773-000 | C | 1 | TERMINAL ASS'Y, PC |
| * CG2-0931-000 | B | 1 | BODY LEFT ASS'Y |
| * CG2-0933-000 | B | 1 | TFT LCD ASS'Y |
| * CG2-0949-000 | C | 1 | FPC ASS'Y, REMOTE |
| * CY3-1431-000 | B | 1 | C-MOS ASS'Y |
| * CY3-1440-000 | B | 1 | FILTER ASS'Y, LOW PASS |
| * CY3-1441-000 | B | 1 | GUIDE ASS'Y, LPF |
| FC2-9551-000 | F | 1 | SCREW |
| XA4-7170-257 | F | 2 | SCREW |
| XA4-8200-459 | F | 2 | SCREW |
| XA4-9170-359 | F | 4 | SCREW |
| XA4-9170-457 | F | 3 | SCREW |
| XA4-9200-457 | F | 1 | SCREW |
| XA4-9200-559 | F | 2 | SCREW |

CANON DIGITAL CAMERA EOS 10D



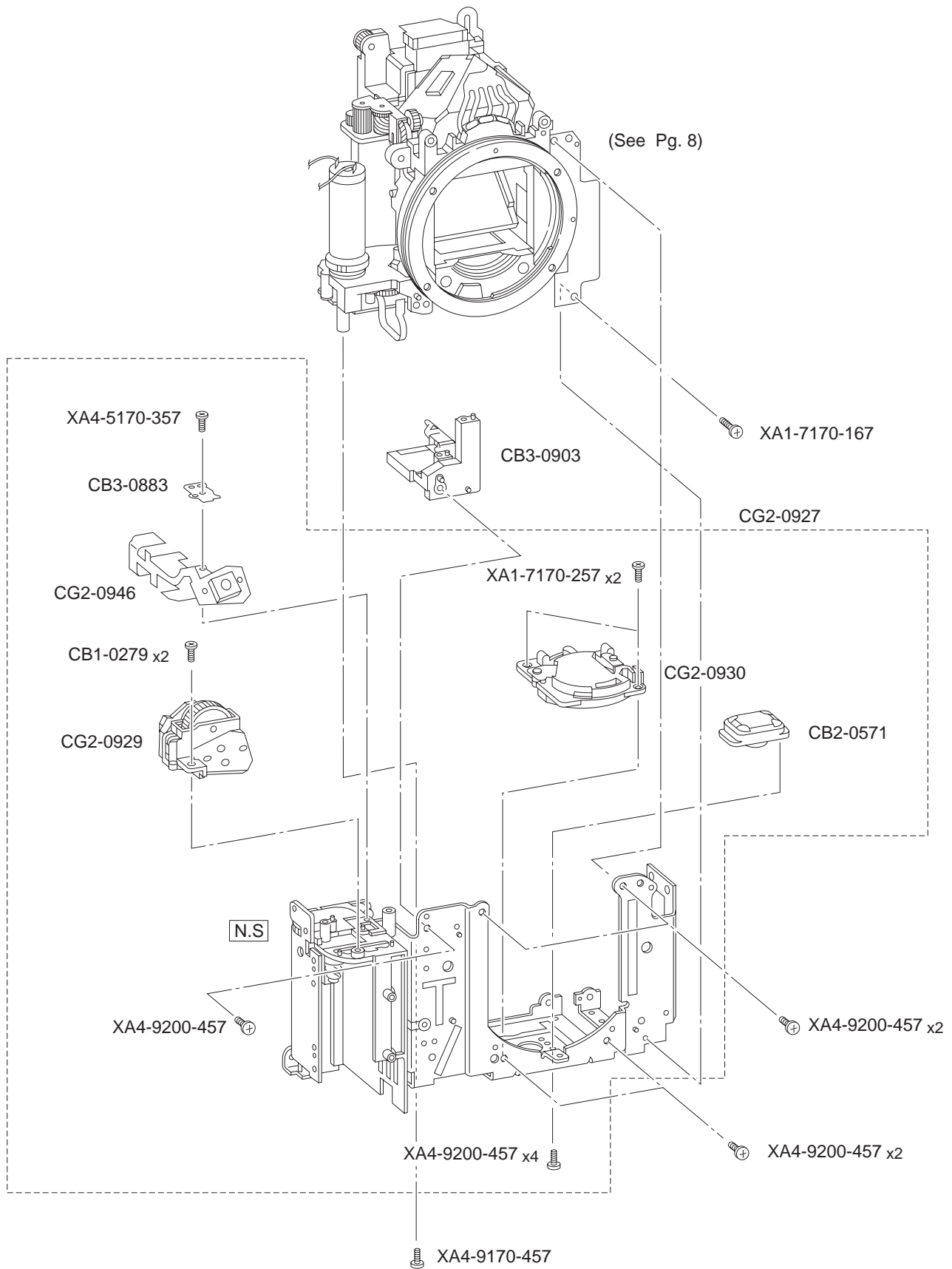
PARTS LIST

REF.NO.C12-6031

PG6

| NEW PARTS No. | CLASS | QTY | DESCRIPTION |
|----------------|-------|-----|-------------------------|
| * CB3-0923-000 | N | 1 | COVER, DC/DC SHIELD1 |
| * CB3-0924-000 | N | 1 | COVER, DC/DC SHIELD2 |
| * CG2-0934-000 | B | 1 | COVER ASS'Y, RIGHT SIDE |
| * CG2-0935-000 | B | 1 | OLC DISPLAY ASS'Y |
| * CG2-0948-000 | B | 1 | FPC ASS'Y, MD |
| * CG2-0952-000 | B | 1 | FPC ASS'Y, CF |
| * CH9-1026-000 | B | 1 | PCB ASS'Y, DC/DC |
| FC2-9551-000 | F | 2 | SCREW |
| XA1-7170-167 | F | 2 | SCREW |
| XA4-9170-409 | F | 2 | SCREW |
| XA4-9170-459 | F | 2 | SCREW |

CANON DIGITAL CAMERA EOS 10D



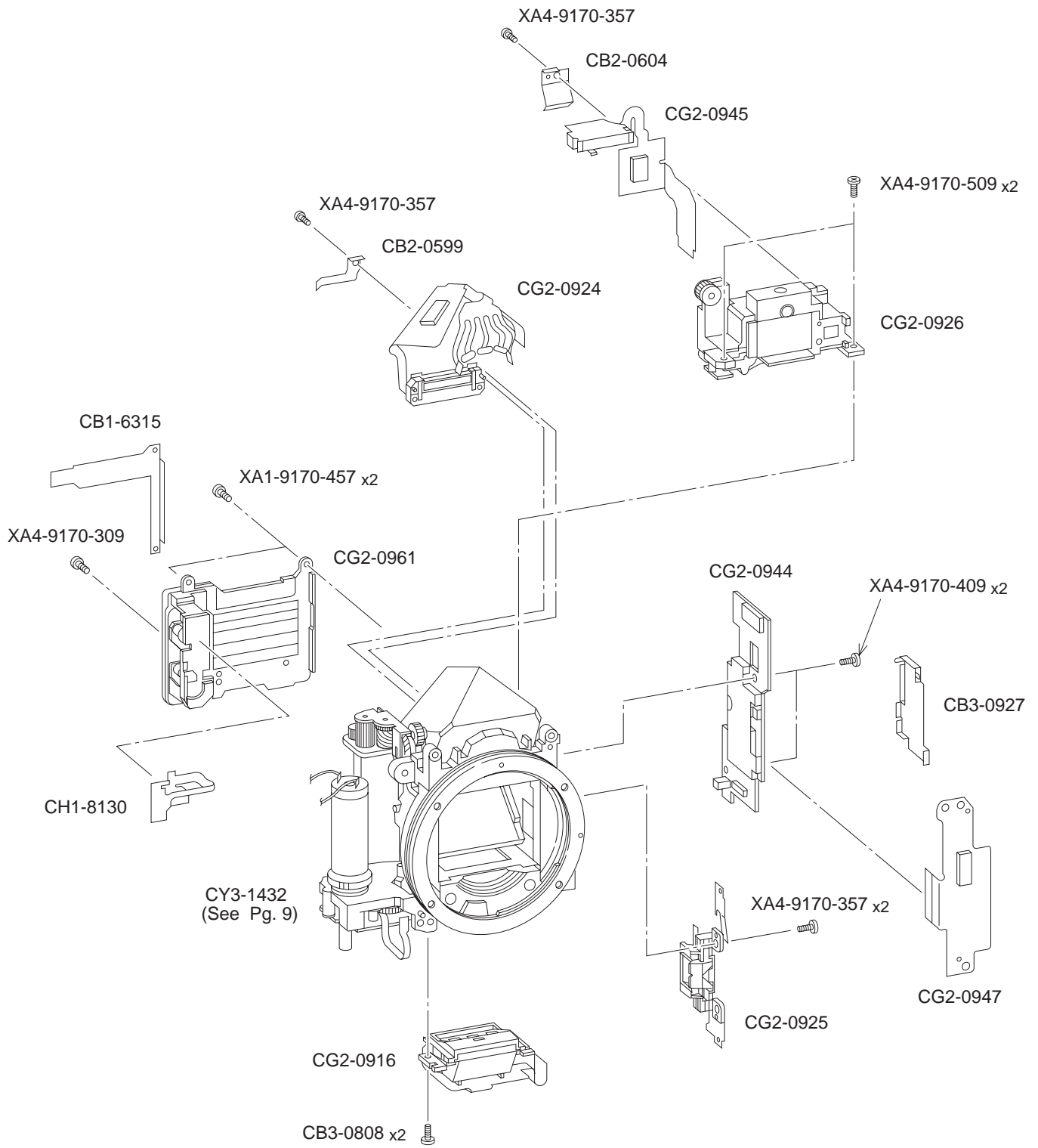
PARTS LIST

REF.NO.C12-6031

PG7

| NEW PARTS No. | CLASS | QTY | DESCRIPTION |
|----------------|-------|-----|--------------------------|
| CB1-0279-000 | F | 2 | SCREW |
| CB2-0571-000 | C | 1 | SOCKET, TRIPOD |
| * CB3-0883-000 | C | 1 | PLATE, SWITCH HOLDER |
| * CB3-0903-000 | N | 1 | BODY, RIGHT |
| * CG2-0927-000 | C | 1 | BODY FRONT ASS'Y |
| * CG2-0929-000 | C | 1 | MAIN DIAL ASS'Y |
| * CG2-0930-000 | C | 1 | CASE ASS'Y, DATE BATTERY |
| * CG2-0946-000 | C | 1 | FPC ASS'Y, RELEASE |
| XA1-7170-167 | F | 1 | SCREW |
| XA1-7170-257 | F | 2 | SCREW |
| XA4-5170-357 | F | 1 | SCREW |
| XA4-9170-457 | F | 1 | SCREW |
| XA4-9200-457 | F | 9 | SCREW |

CANON DIGITAL CAMERA EOS 10D



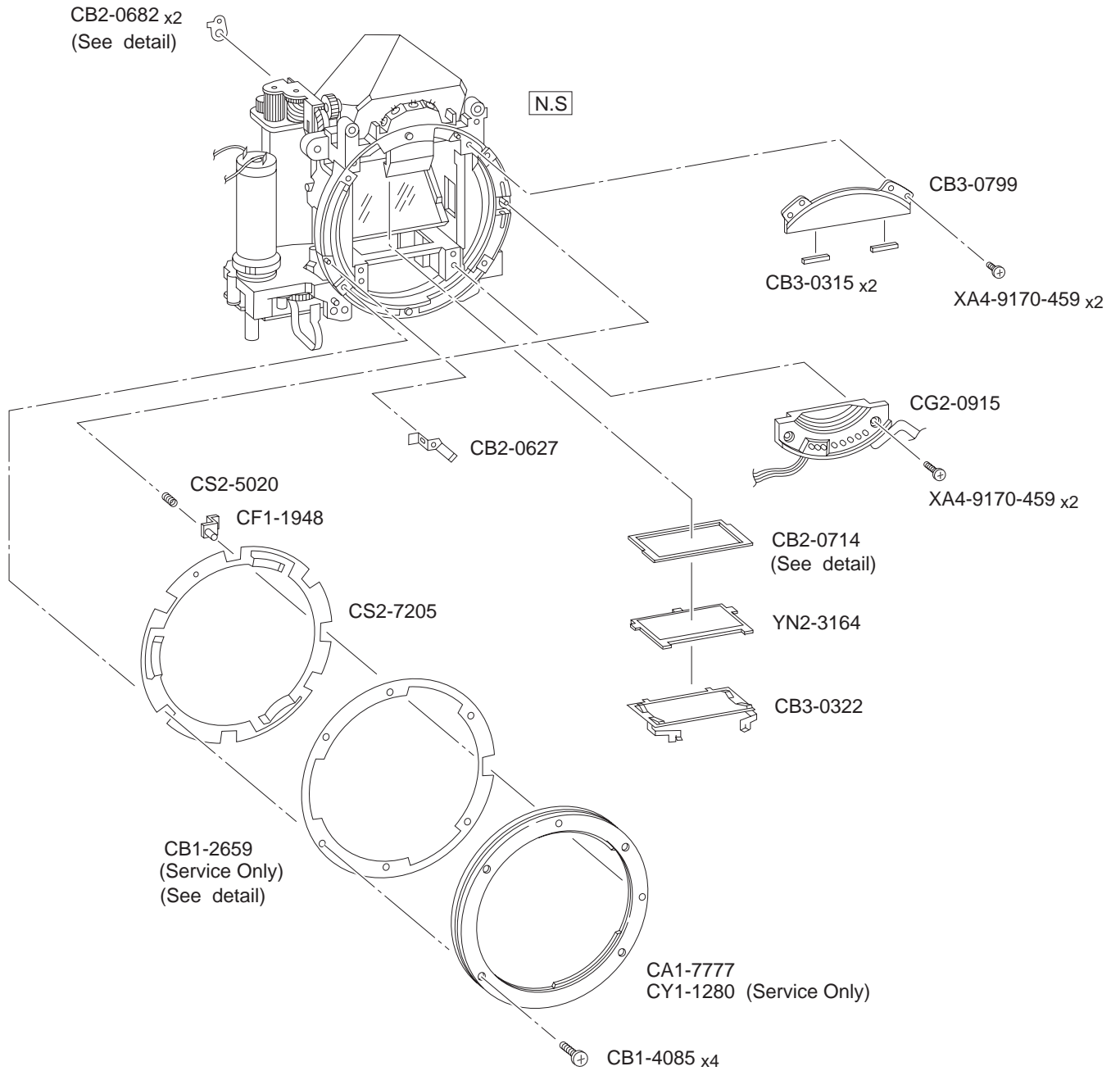
PARTS LIST

REF.NO.C12-6031

PG8

| NEW PARTS No. | CLASS | QTY | DESCRIPTION |
|----------------|-------|-----|-----------------------------|
| CB1-6315-000 | C | 1 | SHEET, SHUTTER SHADE |
| CB2-0599-000 | C | 1 | SPRING, PLATE |
| CB2-0604-000 | C | 1 | SPRING, PLATE |
| CB3-0808-000 | F | 2 | SCREW |
| * CB3-0927-000 | N | 1 | CASE, C-MAIN SHIELD |
| * CG2-0916-000 | C | 1 | AUTO FOCUS ASS'Y |
| * CG2-0924-000 | C | 1 | INSIDE LCD ASS'Y |
| * CG2-0925-000 | C | 1 | VERTICAL SUPER IMPOSE ASS'Y |
| * CG2-0926-000 | C | 1 | EYEPIECE LENS ASS'Y |
| * CG2-0944-000 | B | 1 | PCB ASS'Y, CAMERA MAIN |
| * CG2-0945-000 | C | 1 | AE SENSOR ASS'Y |
| * CG2-0947-000 | C | 1 | FPC, FRONT |
| * CG2-0961-000 | C | 1 | SHUTTER, ASS'Y |
| * CH1-8130-000 | C | 1 | FPC, SHUTTER |
| * CY3-1432-000 | C | 1 | MIRROR BOX ASS'Y |
| XA1-9170-457 | F | 2 | SCREW |
| XA4-9170-309 | F | 1 | SCREW |
| XA4-9170-357 | F | 4 | SCREW |
| XA4-9170-409 | F | 2 | SCREW |
| XA4-9170-509 | F | 2 | SCREW |

CANON DIGITAL CAMERA EOS 10D



CB2-0682-000 (XXX) detail

| A | SIZE |
|---------|--------------|
| A (XXX) | 0.03mm (003) |
| | 0.05mm (005) |
| | 0.08mm (008) |
| | 0.10mm (010) |
| | 0.12mm (012) |
| | 0.15mm (015) |
| | 0.18mm (018) |
| | 0.20mm (020) |

CB1-2659-000 (XXX) detail

| B | SIZE |
|---------|--------------|
| B (XXX) | 0.05mm (005) |
| | 0.08mm (008) |
| | 0.10mm (010) |
| | 0.12mm (012) |
| | 0.15mm (015) |
| | 0.18mm (018) |

CB2-0714-000 (XXX) detail

| C | SIZE |
|---------|--------------|
| C (XXX) | 0.05mm (005) |
| | 0.10mm (010) |
| | 0.15mm (015) |
| | 0.20mm (020) |
| | 0.25mm (025) |
| | 0.30mm (030) |
| | 0.35mm (035) |
| | 0.40mm (040) |
| | 0.45mm (045) |
| | 0.50mm (050) |

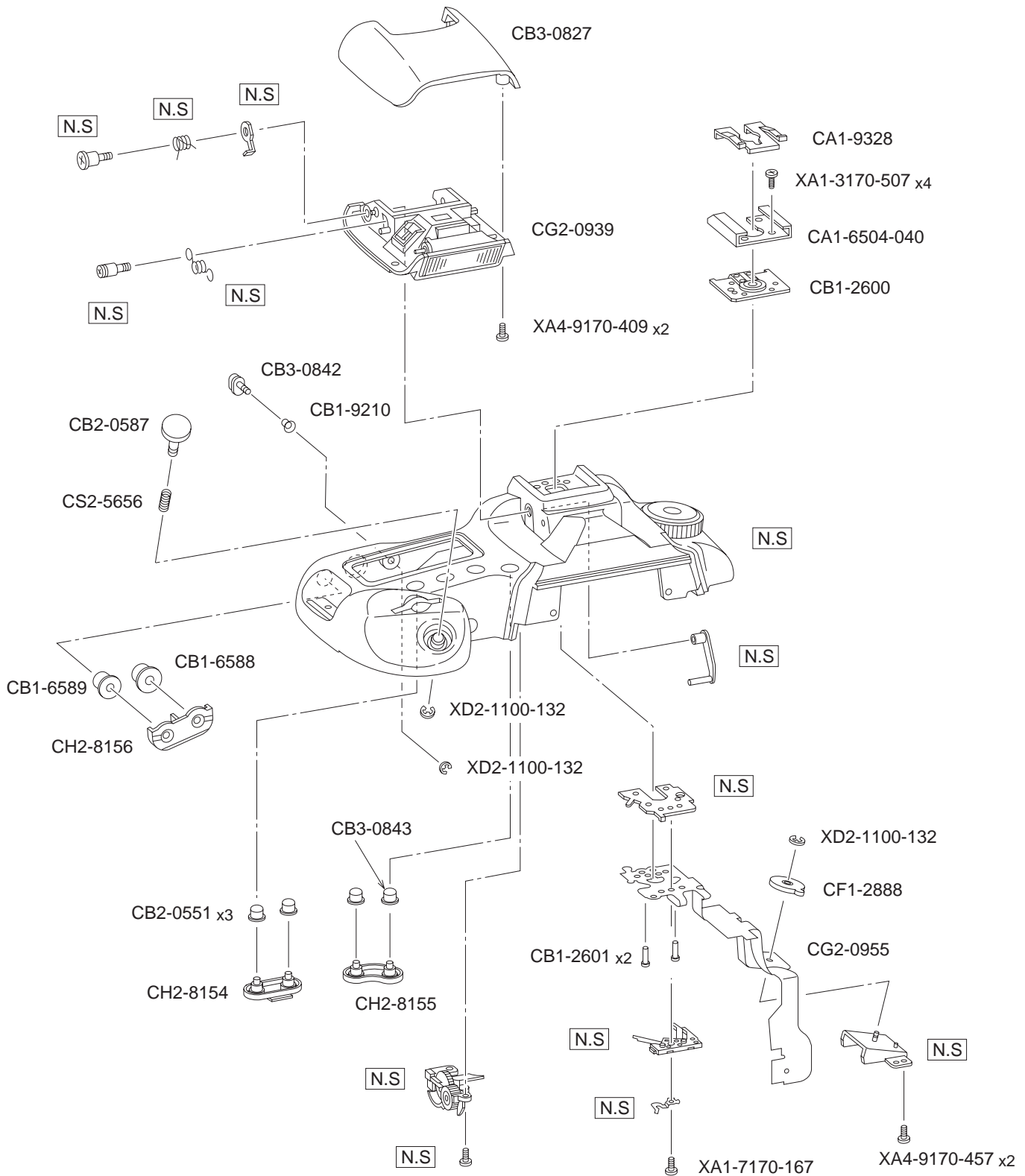
PARTS LIST

REF.NO.C12-6031

PG9

| NEW PARTS No. | CLASS | QTY | DESCRIPTION |
|--------------------|-------|-----|---------------------------|
| CA1-7777-000 | C | 1 | MOUNT, BODY |
| CB1-2659-000 (XXX) | C | 1 | SPACER, MOUNT |
| CB1-4085-000 | F | 4 | SCREW |
| * CB2-0627-000 | C | 1 | RAG, MOUNT GND |
| CB2-0682-000 (XXX) | C | 1 | WASHER, FB ADJ. |
| CB2-0714-000 (XXX) | C | 1 | WASHER, SCREEN ADJ. |
| CB3-0315-000 | C | 2 | CUSHION, MIRROR |
| CB3-0322-000 | C | 1 | SPRING, SCREEN |
| * CB3-0799-000 | C | 1 | COVER, MIRROR BOX |
| CF1-1948-000 | C | 1 | LEVER, LENS LOCK |
| * CG2-0915-000 | C | 1 | CONTACT ASS'Y, LENS MOUNT |
| CS2-5020-000 | C | 1 | SPRING, COIL |
| CS2-7205-000 | C | 1 | SPRING, MOUNT |
| CY1-1280-000 | C | 1 | MOUNT, BODY (0.1mm under) |
| XA4-9170-459 | F | 4 | SCREW |
| * YN2-3164-000 | B | 1 | SCREEN, FOCUSING |

CANON DIGITAL CAMERA EOS 10D



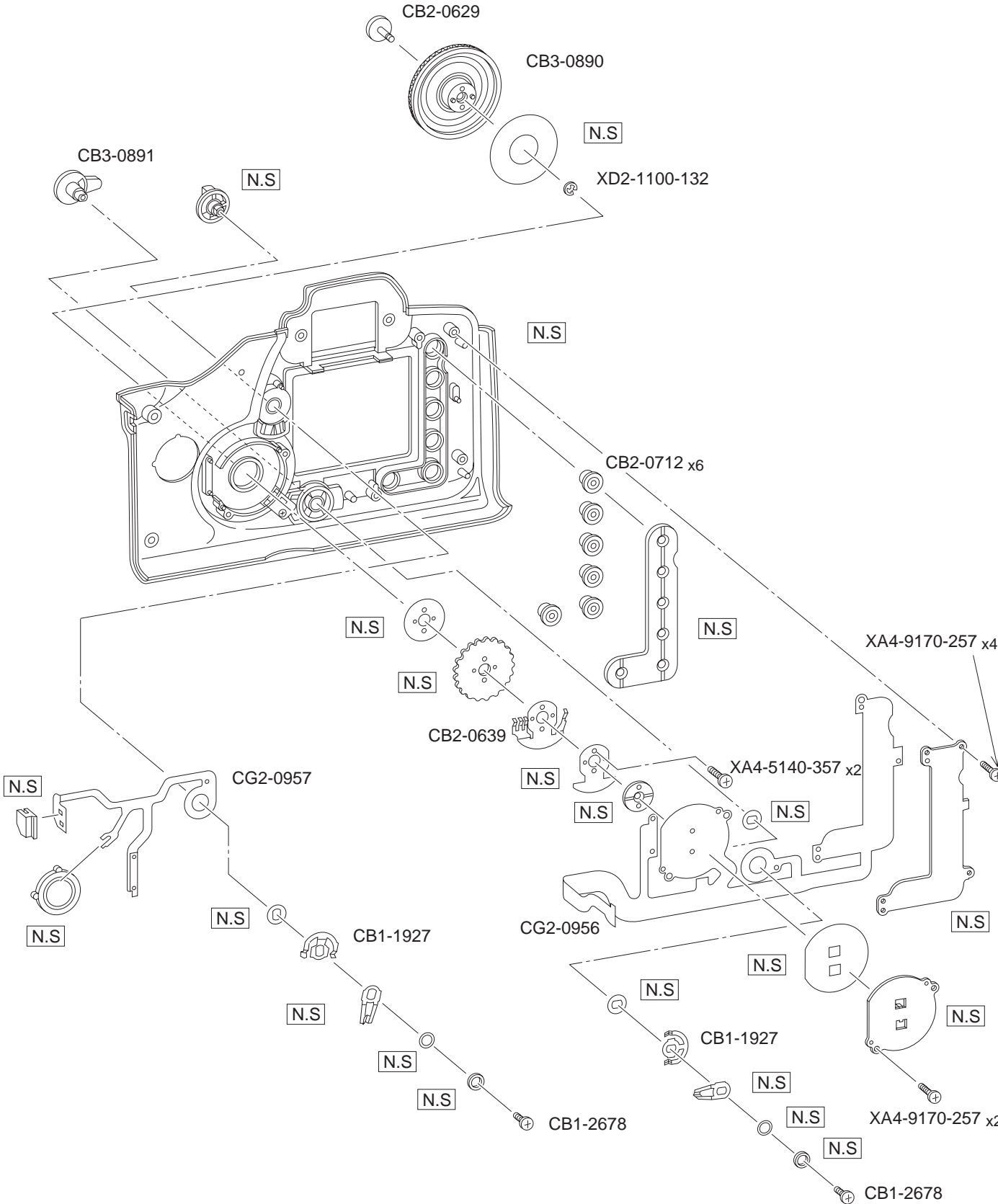
PARTS LIST

REF.NO.C12-6031

PG10

| NEW PARTS No. | CLASS | QTY | DESCRIPTION |
|----------------|-------|-----|--------------------------------|
| CA1-9328-000 | C | 1 | SPRING, PLATE |
| CA1-6504-040 | C | 1 | SHOE, ACCESSORY |
| CB1-2600-000 | C | 1 | BASE, ACCESSORY SHOE |
| * CB1-2601-000 | N | 2 | PIN, ACCESSORY SHOE |
| CB1-6588-000 | C | 1 | BUTTON, AE LOCK |
| CB1-6589-000 | C | 1 | BUTTON, AF SELECT |
| CB1-9210-000 | C | 1 | BOOTS, FLASH EXPOSURE LOCK |
| CB2-0551-000 | C | 3 | BUTTON, AE MODE |
| CB2-0587-000 | C | 1 | BUTTON, RELEASE |
| * CB3-0827-000 | C | 1 | COVER, FLASH |
| * CB3-0842-000 | C | 1 | BUTTON, AUTO FOCUS ASSIST |
| * CB3-0843-000 | C | 1 | BUTTON, OLC ILLUMINATION |
| CF1-2888-000 | C | 1 | CONTACT, MODE |
| * CG2-0939-000 | C | 1 | BASE ASS'Y, FLASH |
| * CG2-0955-000 | C | 1 | FPC, TOP |
| * CH2-8154-000 | C | 1 | RUBBER, DRIVE/METERING CONTACT |
| * CH2-8155-000 | C | 1 | RUBBER, AF/LIGHT CONTACT |
| * CH2-8156-000 | C | 1 | RUBBER, AEL/AF SELCT CONTACT |
| CS2-5656-000 | C | 1 | SPRING, COIL |
| XA1-3170-507 | F | 4 | SCREW |
| XA1-7170-167 | F | 1 | SCREW |
| XA4-9170-409 | F | 2 | SCREW |
| XA4-9170-457 | F | 2 | SCREW |
| XD2-1100-132 | F | 3 | E RING |

CANON DIGITAL CAMERA FOS 10D



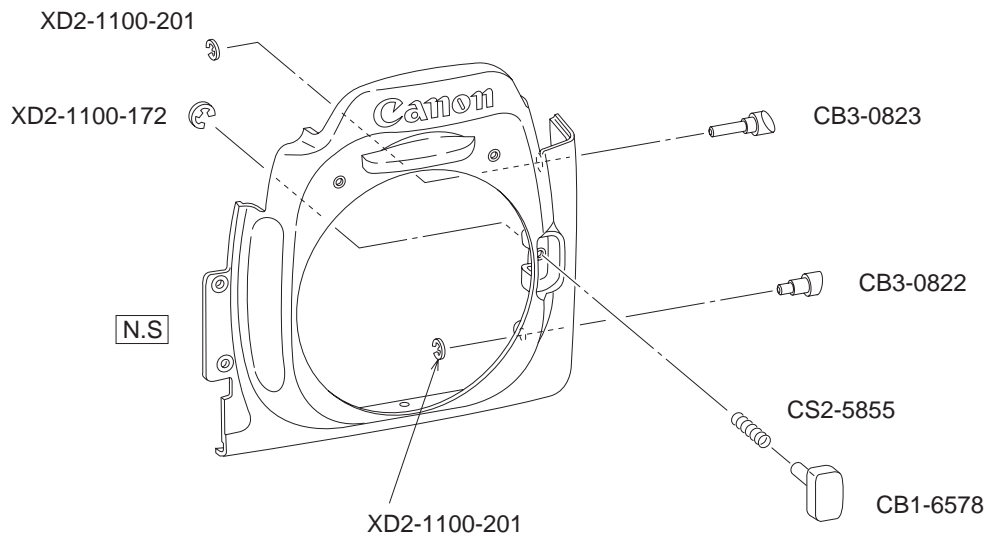
PARTS LIST

REF.NO.C12-6031

PG11

| NEW PARTS No. | CLASS | QTY | DESCRIPTION |
|----------------|-------|-----|------------------------------|
| CB1-1927-000 | C | 2 | CONTACT, DIAL LOCK SWITCH |
| CB1-2678-000 | F | 2 | SCREW |
| CB2-0629-000 | C | 1 | BUTTON, BC DIAL |
| CB2-0639-000 | C | 1 | CONTCT, BC DIAL |
| * CB2-0712-000 | C | 6 | BUTTON, BACK PANEL OPERATION |
| * CB3-0890-000 | C | 1 | DIAL, QUICK CONTROL |
| * CB3-0891-000 | C | 1 | SWITCH, MAIN |
| * CG2-0956-000 | C | 1 | FPC ASS'Y, BACK |
| * CG2-0957-000 | C | 1 | FPC ASS'Y, BUZZER |
| XA4-5140-357 | F | 2 | SCREW |
| XA4-9170-257 | F | 6 | SCREW |
| XD2-1100-132 | F | 1 | E RING |

CANON DIGITAL CAMERA EOS 10D



PARTS LIST

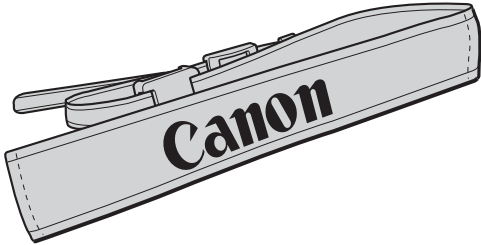
REF.NO.C12-6031

PG12

| NEW PARTS No. | CLASS | QTY | DESCRIPTION |
|----------------|-------|-----|--------------------------------|
| CB1-6578-000 | C | 1 | BUTTON, UNLOCK |
| * CB3-0822-000 | C | 1 | BUTTON, DEPTH OF FIELD PREVIEW |
| * CB3-0823-000 | C | 1 | BUTTON, FLASH POP UP |
| CS2-5855-000 | C | 1 | SPRING, UNLOCK BUTTON |
| XD2-1100-172 | F | 1 | E RING |
| XD2-1100-201 | F | 2 | E RING |

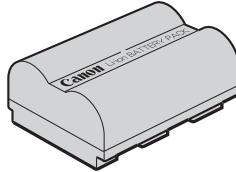
Accessories Section

**Neck Strap EW-100DB
(with eyepiece cover)**



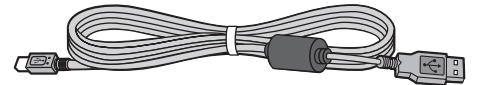
N.S (Product Available)

**Battery Pack BP-511
BP-512**



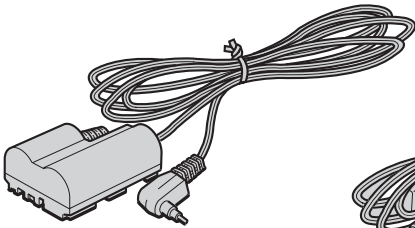
N.S (Product Available)

**Interface Cable
IFC-300 PCU(USB)**



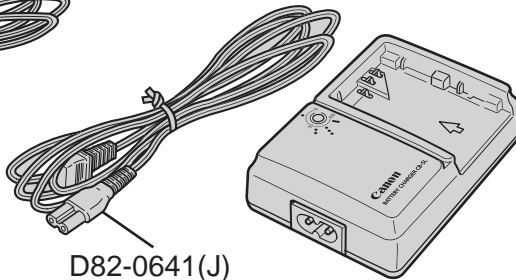
N.S (Product Available)

DC Coupler DR-400



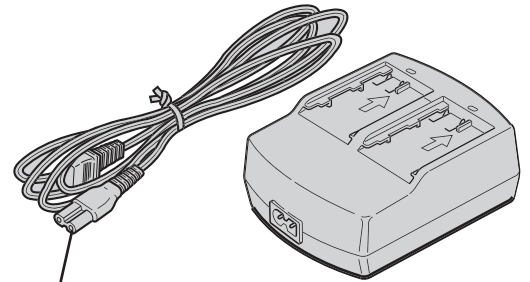
N.S (Product Available)

Battery Charger CB-5L



D82-0641(J)
C50-8091(U)
D82-0643(E)
D82-0644(UK)
D82-0645(A)

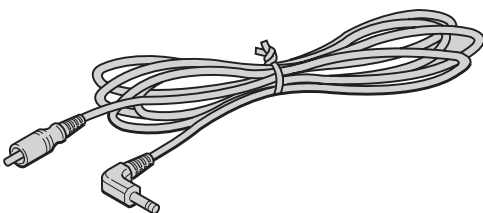
**Compact Power Adapter
CA-PS400**



WT3-5062(J)
WT3-5063(U)
WT3-5064(E)
WT3-5115(UK)
WT3-5066(A)

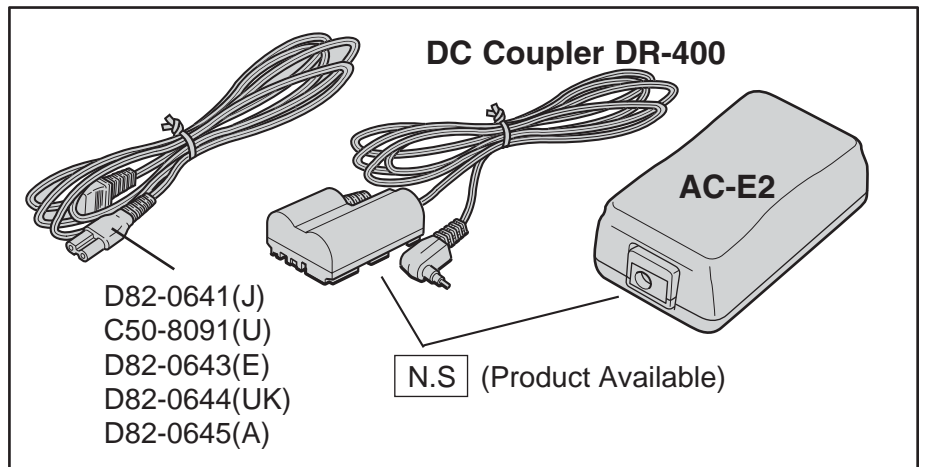
N.S (Product Available)

Video Cable VC-100



FH6-3922

AC Adapter Kit ACK-E2



D82-0641(J)
C50-8091(U)
D82-0643(E)
D82-0644(UK)
D82-0645(A)

N.S (Product Available)

BATTERY CHARGER CB-5L

REF.NO.D85-1111

PG13

| NEW | PARTS No. | CLASS | QTY | DESCRIPTION |
|-----|--------------|-------|-----|---------------|
| | D82-0641-000 | C | 1 | CABLE, AC(J) |
| | C50-8091-000 | C | 1 | CABLE, AC(U) |
| | D82-0643-000 | C | 1 | CABLE, AC(E) |
| | D82-0644-000 | C | 1 | CABLE, AC(UK) |
| | D82-0645-000 | C | 1 | CABLE, AC(A) |

COMPACT POWER ADAPTER CA-PS400

REF.NO.C59-7001

| NEW | PARTS No. | CLASS | QTY | DESCRIPTION |
|-----|--------------|-------|-----|---------------|
| | WT3-5062-000 | C | 1 | CABLE, AC(J) |
| | WT3-5063-000 | C | 1 | CABLE, AC(U) |
| | WT3-5064-000 | C | 1 | CABLE, AC(E) |
| | WT3-5066-000 | C | 1 | CABLE, AC(A) |
| | WT3-5115-000 | C | 1 | CABLE, AC(UK) |

AC ADAPTER KIT ACK-E2

REF.NO.C50-8111

| NEW | PARTS No. | CLASS | QTY | DESCRIPTION |
|-----|--------------|-------|-----|---------------|
| | D82-0641-000 | C | 1 | CABLE, AC(J) |
| | C50-8091-000 | C | 1 | CABLE, AC(U) |
| | D82-0643-000 | C | 1 | CABLE, AC(E) |
| | D82-0644-000 | C | 1 | CABLE, AC(UK) |
| | D82-0645-000 | C | 1 | CABLE, AC(A) |

VIDEO CABLE VC-100

REF.NO.FH6-3922

| NEW | PARTS No. | CLASS | QTY | DESCRIPTION |
|-----|--------------|-------|-----|--------------------|
| | FH6-3922-000 | C | 1 | VIDEO CABLE VC-100 |

ELECTRIC PARTSLIST

REF.NO.C12-6031

PG14

| NEW | PARTS No. | CLASS | QTY | DESCRIPTION |
|-----|--------------|-------|-----|------------------|
| | CH2-7213-000 | | | LEAD WIRE |
| | CH2-7235-000 | | | LEAD WIRE |
| * | CH2-8128-000 | | | LEAD WIRE |
| | Y11-3402-000 | | | LEAD WIRE BLACK |
| | Y11-3704-000 | | | LEAD WIRE PINK |
| | Y11-3706-000 | | | LEAD WIRE GRAY |
| | Y11-3711-000 | | | LEAD WIRE WHITE |
| | Y11-3901-000 | | | LEAD WIRE BLACK |
| | Y11-3902-000 | | | LEAD WIRE RED |
| | Y11-3906-000 | | | LEAD WIRE GRAY |
| | Y11-3907-000 | | | LEAD WIRE YELLOW |
| | Y11-3909-000 | | | LEAD WIRE ORANGE |
| | Y11-3911-000 | | | LEAD WIRE BLACK |
| | Y11-3914-000 | | | LEAD WIRE PINK |
| | Y11-5003-000 | | | LEAD WIRE YELLOW |

INDEX OF PARTS LIST

REF.NO.C12-6031

| NEW | PARTS No. | Page | NEW | PARTS No. | Page |
|-----|--------------------|-------|-----|--------------|------|
| | CA1-6504-040 | 10 | | CB3-0315-000 | 9 |
| | CA1-7777-000 | 9 | | CB3-0322-000 | 9 |
| | CA1-9007-000 | 5 | * | CB3-0799-000 | 9 |
| | CA1-9125-000 | 5 | | CB3-0808-000 | 8 |
| | CA1-9328-000 | 10 | * | CB3-0822-000 | 12 |
| | CB1-0279-000 | 7 | * | CB3-0823-000 | 12 |
| | CB1-1927-000 | 11 | * | CB3-0824-000 | 3 |
| | CB1-2600-000 | 10 | * | CB3-0827-000 | 10 |
| * | CB1-2601-000 | 10 | * | CB3-0831-000 | 4 |
| | CB1-2659-000 (XXX) | 9 | * | CB3-0837-000 | 3 |
| | CB1-2678-000 | 11 | * | CB3-0840-000 | 5 |
| | CB1-4085-000 | 9 | * | CB3-0841-000 | 5 |
| | CB1-6315-000 | 8 | * | CB3-0842-000 | 10 |
| | CB1-6578-000 | 12 | * | CB3-0843-000 | 10 |
| | CB1-6588-000 | 10 | * | CB3-0845-000 | 3 |
| | CB1-6589-000 | 10 | * | CB3-0881-000 | 2 |
| | CB1-7756-000 | 5 | * | CB3-0882-000 | 2 |
| | CB1-9210-000 | 10 | * | CB3-0883-000 | 7 |
| | CB2-0551-000 | 10 | * | CB3-0886-000 | 4 |
| | CB2-0564-000 | 5 | * | CB3-0887-000 | 1 |
| | CB2-0571-000 | 7 | * | CB3-0890-000 | 11 |
| | CB2-0587-000 | 10 | * | CB3-0891-000 | 11 |
| | CB2-0599-000 | 8 | * | CB3-0898-000 | 1 |
| | CB2-0604-000 | 8 | * | CB3-0899-000 | 4 |
| | CB2-0614-000 | 3 | * | CB3-0900-000 | 1 |
| * | CB2-0627-000 | 9 | * | CB3-0901-000 | 1 |
| | CB2-0629-000 | 11 | * | CB3-0903-000 | 7 |
| | CB2-0639-000 | 11 | * | CB3-0923-000 | 6 |
| | CB2-0661-000 | 3 | * | CB3-0924-000 | 6 |
| | CB2-0666-000 | 2 | * | CB3-0925-000 | 4 |
| | CB2-0682-000 (XXX) | 9 | * | CB3-0926-000 | 4 |
| | CB2-0686-000 | 2 | * | CB3-0927-000 | 8 |
| * | CB2-0712-000 | 11 | * | CB3-0973-000 | 1 |
| | CB2-0714-000 (XXX) | 9 | | CF1-1948-000 | 9 |
| | CB2-0719-000 | 1 | | CF1-2888-000 | 10 |
| | CB2-0720-000 | 1 | | CG1-3773-000 | 5 |
| | CB2-0721-000 | 1,2,3 | * | CG2-0915-000 | 9 |
| | CB2-0722-000 | 1 | * | CG2-0916-000 | 8 |
| | CB2-0723-000 | 3 | * | CG2-0924-000 | 8 |
| | CB2-0726-000 | 2 | * | CG2-0925-000 | 8 |

INDEX OF PARTS LIST

REF.NO.C12-6031

| NEW | PARTS No. | Page | NEW | PARTS No. | Page |
|-----------------------|--|--------------------------|--------------------|--|---|
| * | CG2-0926-000 | 8 | * | CY3-1430-000 | 2 |
| * | CG2-0927-000 | 7 | * | CY3-1430-001 | 2 |
| * | CG2-0929-000 | 7 | * | CY3-1430-002 | 2 |
| * | CG2-0930-000 | 7 | * | CY3-1431-000 | 5 |
| * | CG2-0931-000 | 5 | * | CY3-1432-000 | 8 |
| * * * * * | CG2-0933-000 CG2-0934-000 CG2-0935-000 CG2-0936-000 CG2-0937-000 | 5 6 6 4 3 | * * | CY3-1440-000 CY3-1441-000 FC2-9551-000 FC2-9551-000 XA1-3170-207 | 5 5 3 5,6 2 |
| * * * * * | CG2-0938-000 CG2-0939-000 CG2-0940-000 CG2-0941-000 CG2-0942-000 | 3 10 2 1 2 | | XA1-3170-507 XA1-3200-257 XA1-7170-167 XA1-7170-257 XA1-7200-357 | 10 4 4,6,7,10 7 4 |
| * * * * * | CG2-0944-000 CG2-0945-000 CG2-0946-000 CG2-0947-000 CG2-0948-000 | 8 8 7 8 6 | | XA1-7200-409 XA1-9170-457 XA4-5140-357 XA4-5170-357 XA4-7170-257 | 2,3 8 11 7 5 |
| * * * * * | CG2-0949-000 CG2-0951-000 CG2-0952-000 CG2-0954-000 CG2-0955-000 | 5 4 6 4 10 | | XA4-8200-459 XA4-9170-257 XA4-9170-309 XA4-9170-357 XA4-9170-359 | 4,5 11 8 8 5 |
| * * * * * | CG2-0956-000 CG2-0957-000 CG2-0961-000 CH1-8130-000 CH1-8132-000 | 11 11 8 8 4 | | XA4-9170-407 XA4-9170-409 XA4-9170-457 XA4-9170-459 XA4-9170-509 | 4 2,3,6,8,10 3,5,7,10 6,9 8 |
| * * * * * | CH1-8133-000 CH2-8154-000 CH2-8155-000 CH2-8156-000 CH9-1026-000 | 4 10 10 10 6 | | XA4-9200-457 XA4-9200-559 XD2-1100-132 XD2-1100-172 XD2-1100-201 | 4,5,7 5 10,11 12 12 |
| | CS2-5020-000 CS2-5656-000 CS2-5855-000 CS2-7205-000 CY1-1280-000 | 9 10 12 9 9 | * | YN2-3164-000 | 9 |