

PARTS CATALOG

CONTENTS

PowerShot Pro1

Casing Parts -----	Pg1
Internal Parts-1 -----	Pg2
Internal Parts-2 -----	Pg3
Fuse -----	Pg4
Accessories-1 -----	Pg5
Accessories-2 -----	Pg6
Service Tools-1 -----	Pg7
Service Tools-2 -----	Pg8

CLASS凡例

- A: 使用頻度 高
- B: 使用頻度 中
- C: 使用頻度 低
- D: 安全規格部品
- E: 消耗部品
- F: 標準ネジ、ワッシャー
- S: 供給制限品
- Y: サービス工具

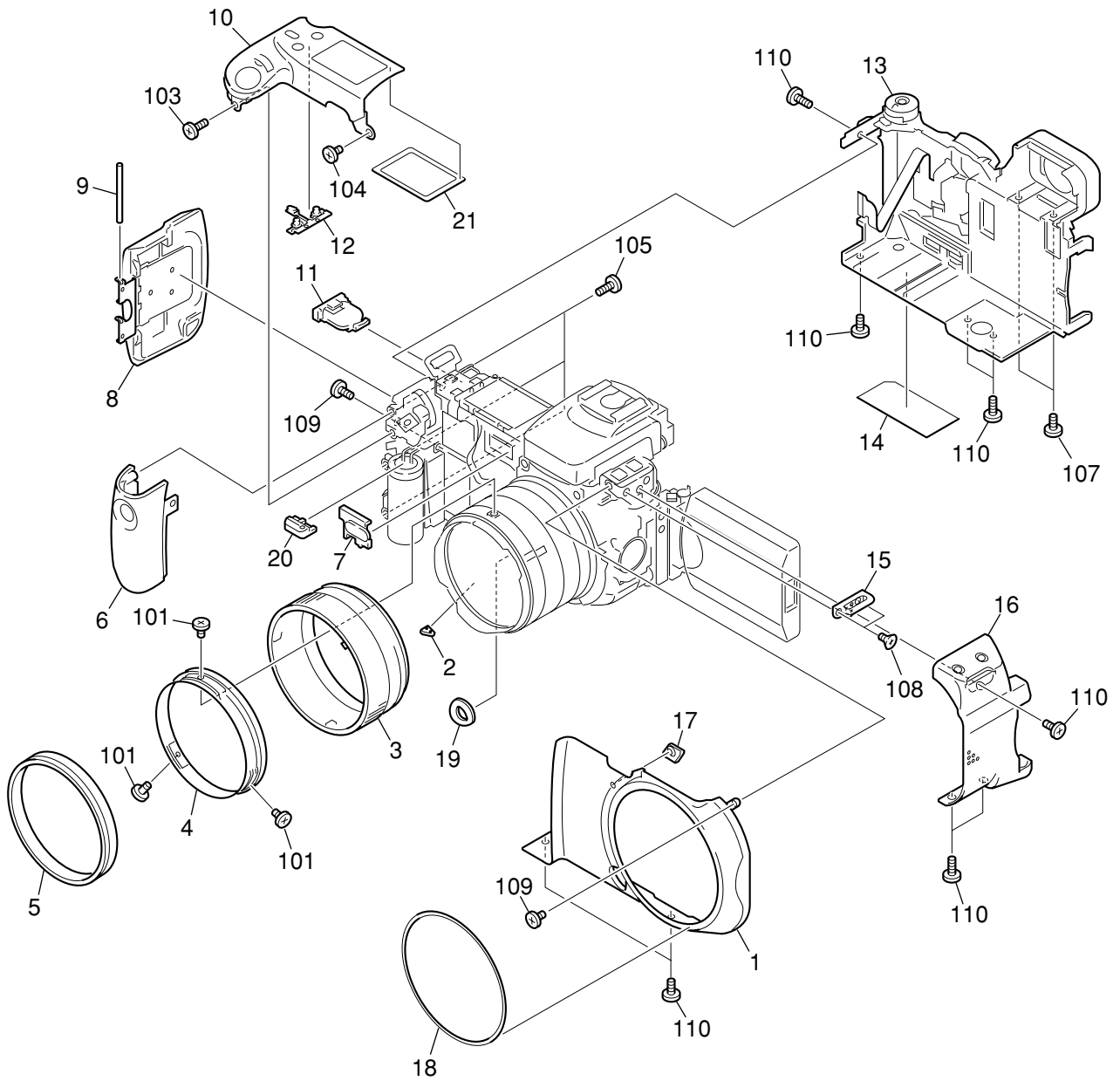
Category of CLASS

- A: Frequency of use: High
- B: Frequency of use: Middle
- C: Frequency of use: Low
- D: Safety-related critical parts
- E: Consumable parts
- F: Standard screws and washers
- S: Supply of the parts is limited
- Y: Service Tools

CAUTION

⚠ がついている部品は安全上重要な部品です。交換時は、必ず指定の部品を使用してください。
Especially critical parts in the power circuit block should not be replaced with other marks.
Critical parts are marked with ⚠ in this parts list

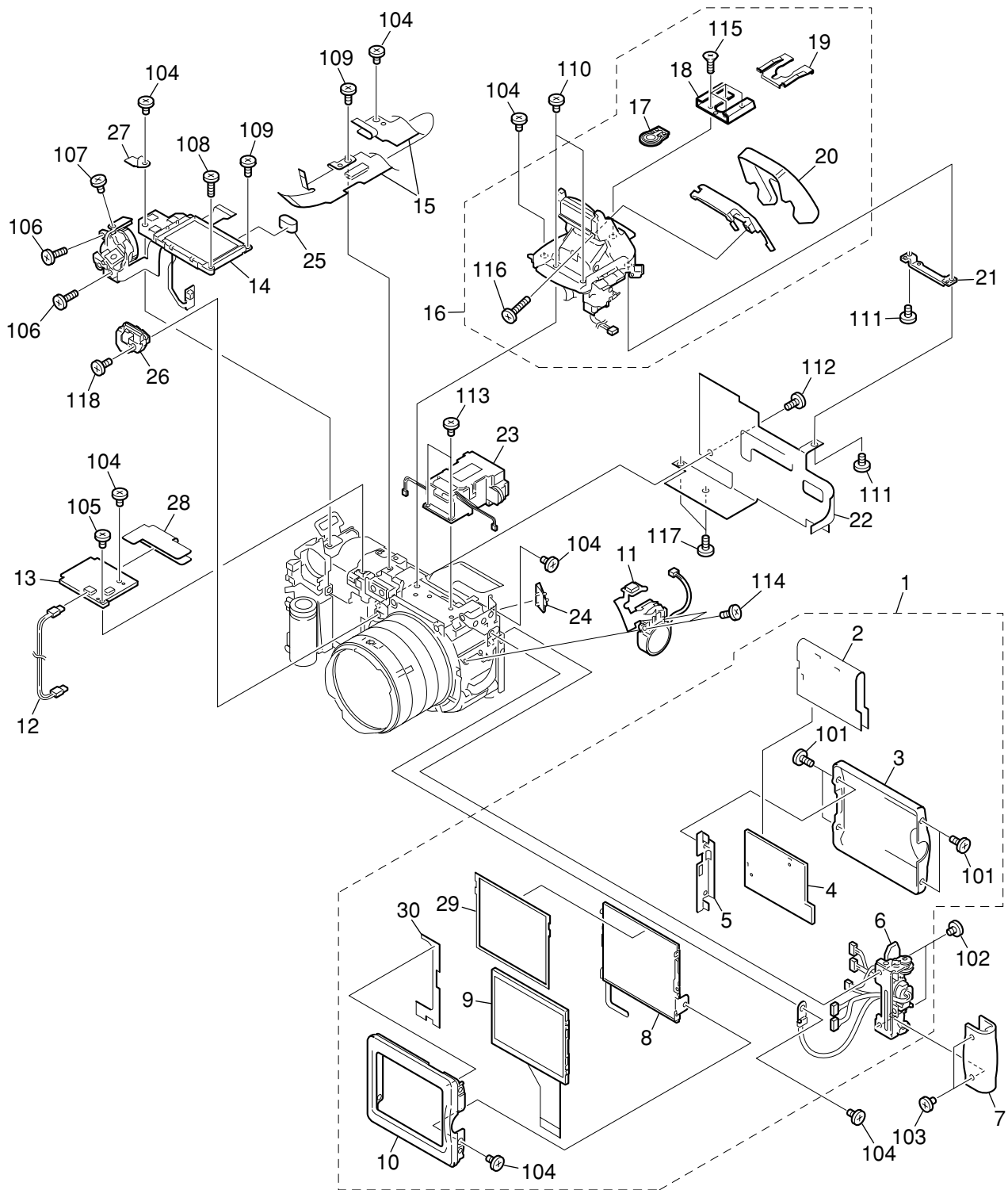
Casing Parts



PARTS LIST

SYMBOL	PARTS NO.	CLASS	QTY	DESCRIPTION	REMARKS
1	CD3-0911-000	B	1	COVER, FRONT	
2	CD3-0827-000	C	1	STOPPER, BAYONET	
3	CM1-2455-000	B	1	ZOOM RING OUT UNIT	
4	CD3-0803-000	B	1	RING, BAYONET	
5	CM1-2456-000	B	1	BAYONET COVER UNIT	
6	CM1-2236-000	B	1	GRIP UNIT	
7	CD3-2314-000	B	1	WINDOW, AF	
8	CM1-2237-000	B	1	SIDE LID UNIT	
9	CD3-0930-000	C	1	SHAFT, SIDE LID	
10	CM1-2234-000	B	1	TOP METAL UNIT	
11	CD3-0929-000	B	1	HOLDER, DATE BATTERY	
12	CD3-0935-000	B	1	BUTTON, TOP	
13	CM1-2436-000	B	1	REAR COVER UNIT	
14	CY1-6313-000	B	1	PLATE, BODY NUMBER	#13011xxxxx
15	CD3-0999-000	B	1	BASE, STRAP RIGHT	
16	CM1-2240-000	B	1	RIGHT COVER UNIT	
17	CD3-0945-000	B	1	WINDOW, SELF LED	
18	CD3-1164-000	B	1	RING, FRONT COVER	
19	CD3-0839-000	C	1	BUSH, BUTTON	
20	CD3-2540-000	C	1	INSULATOR, MAIN CAPACITOR	
21	CD3-1009-000	C	1	SHEET, B/W LCD WINDOW	
101	CD3-0786-000	B	3	SCREW	
103	XA4-9170-507	F	1	SCREW, CROSS-RECESS, PH	
104	XA1-7170-357	F	1	SCREW, CROSS-RECESS, PH	
105	CD3-1754-000	B	3	SCREW	
107	CD3-1751-000	B	2	SCREW	
108	XA1-3170-257	F	2	SCREW, CROSS-RECESS, FCH	
109	XA1-7170-257	F	2	SCREW, CROSS-RECESS, PH	
110	CD3-2738-000	F	9	SCREW	

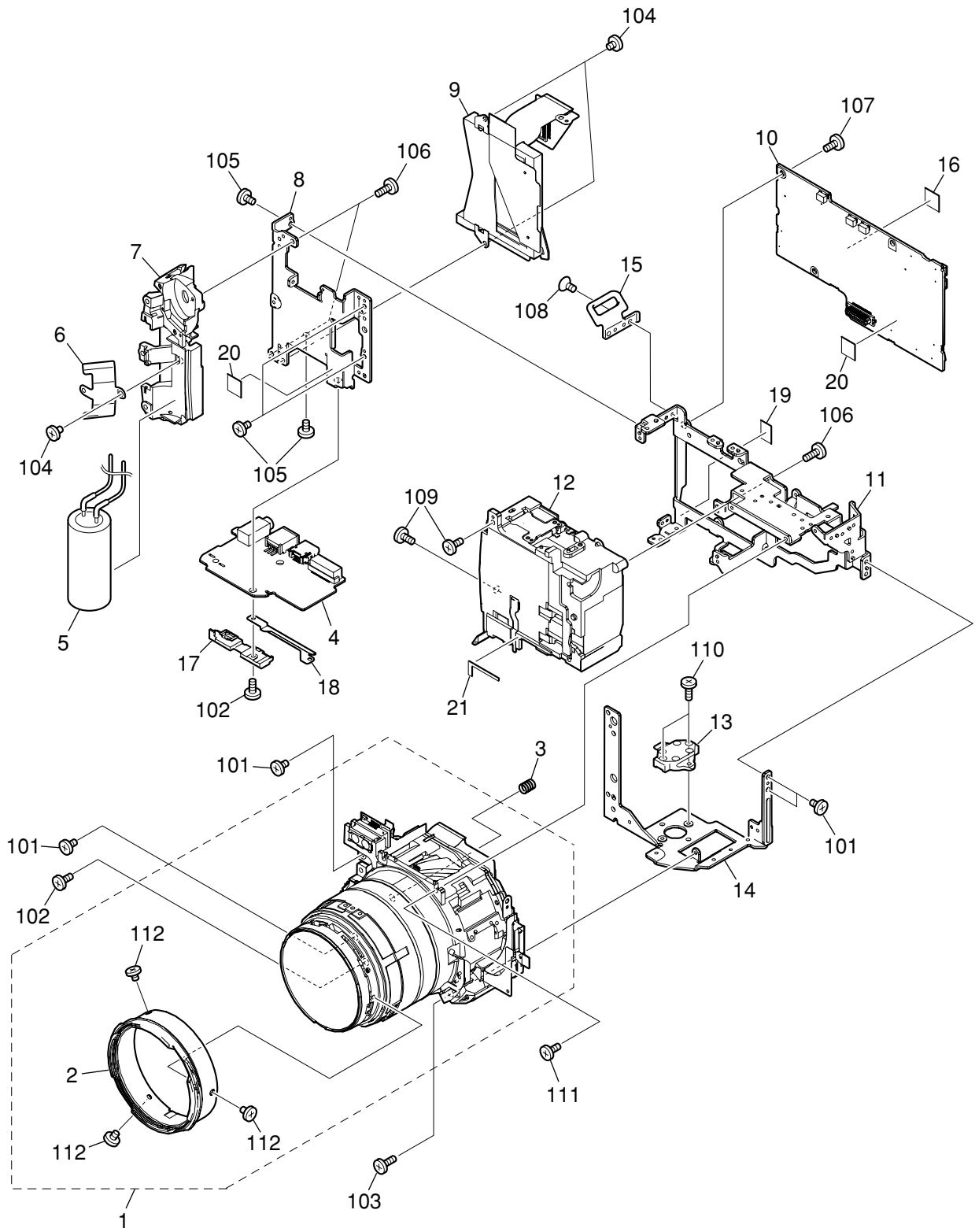
Internal Parts-1



PARTS LIST

SYMBOL	PARTS NO.	CLASS	QTY	DESCRIPTION	REMARKS
1	CM1-2433-001	B	1	LCD UNIT (SELECTION)	
2	CD3-1019-000	C	1	SHEET, LCD	
3	CD3-0957-000	B	1	COVER, LCD REAR	
4	CM1-2267-000	C	1	PCB ASS'Y, LCD	
5	CD3-0959-000	C	1	PLATE, NUT	
6	CM1-2160-000	C	1	LCD HINGE UNIT	
7	CD1-5003-000	B	1	COVER, HINGE	
8	CM1-2159-000	C	1	BACK LIGHT UNIT	
9	WG2-5253-000	C	1	PANEL, LCD	
10	CD3-0956-000	B	1	COVER, LCD FRONT	
11	CM1-2485-000	C	1	HV HOLDER UNIT	
12	CK2-2097-000	C	1	LEAD ASS'Y, DC-ST	
13	CM1-2266-000	C	1	PCB ASS'Y, FLASH	
14	CM1-2435-000	C	1	B/W LCD UNIT	
15	CM1-2262-000	C	1	PCB ASS'Y, EF	
16	CM1-2434-000	B	1	ACCESSORY SHOE UNIT	
17	CB1-6258-000	C	1	BASE, ACCESSORY SHOE	
18	CA1-6504-000	E	1	SHOE, ACCESSORY	
19	CA1-9328-000	C	1	SPRING, PLATE (BL)	
20	CD3-0890-000	B	1	COVER, FLASH	
21	CD3-1020-000	C	1	PLATE, BOTTOM	
22	CD3-2313-000	C	1	SHEET, MAIN	
23	CM1-2432-000	B	1	FINDER UNIT, LCD	
24	CD3-1011-000	C	1	HOLDER, BUTTON	
25	CD3-2534-000	D	1	CUSHION, ELECTRIC GROUND	
26	CD3-0950-000	C	1	HOLDER, SELF LED	
27	CD3-2464-000	C	1	PLATE, TOP	
28	CD3-2463-000	C	1	SHEET, FLASH	
29	CD3-3009-000	C	1	SHEET, LCD	
30	CD3-2495-000	C	1	TAPE, LCD	
101	CD3-1752-000	B	4	SCREW	
102	CD3-2533-000	B	2	SCREW	
103	CD3-1749-000	B	2	SCREW	
104	XA1-7170-257	F	7	SCREW, CROSS-RECESS, PH	
105	XA4-9170-407	F	1	SCREW, CROSS-RECESS, PH	
106	XA4-9170-507	F	2	SCREW, CROSS-RECESS, PH	
107	XA4-5170-257	F	1	SCREW, CROSS-RECESS, FFH	
108	XA4-9140-557	F	1	SCREW	
109	XA4-9140-307	F	2	SCREW	
110	CD3-1750-000	B	2	SCREW	
111	XA1-7170-207	F	2	SCREW, CROSS-RECESS, PH	
112	CD1-4987-000	F	1	SCREW	
113	XA1-1170-257	F	2	SCREW, CROSS-RECESS, PH	
114	XA4-9140-357	F	2	SCREW, CROSS-RECESS, PH	
115	XA1-3170-457	F	4	SCREW	
116	CD3-1173-000	F	1	SCREW	
117	XA1-7170-357	F	2	SCREW, CROSS-RECESS, PH	
118	XA1-7170-509	F	1	SCREW, CROSS-RECESS, PH	

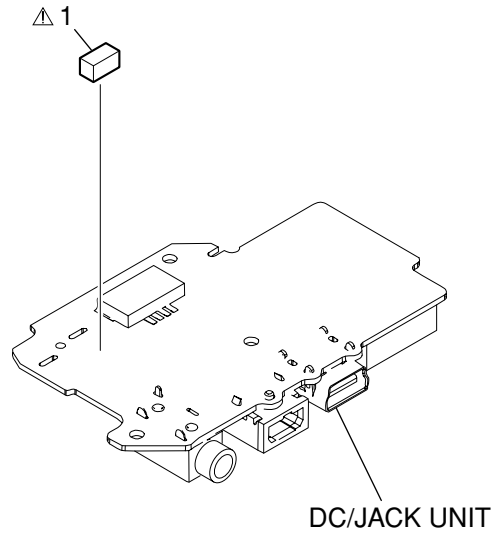
Internal Parts-2



PARTS LIST

SYMBOL	PARTS NO.	CLASS	QTY	DESCRIPTION	REMARKS
1	CM1-2334-000	B	1	OPTICAL UNIT	
2	CD3-0785-000	B	1	RING, FRONT	
3	CS2-1312-000	C	1	SPRING, CCD	
4	CM1-2269-000	C	1	DC/JACK UNIT	
5	CM1-2273-000	B	1	MAIN CAPACITOR UNIT	
6	CD3-0946-000	C	1	PLATE, SIDE CLICK	
7	CD3-0915-000	C	1	BASE, JOG DIAL	
8	CD3-0913-000	C	1	FRAME, FRONT	
9	CM1-2261-000	C	1	CARD SLOT UNIT	
10	CM1-2260-000	C	1	PCB ASS'Y, MAIN	
11	CD3-0953-000	C	1	FRAME, REAR	
12	CM1-2239-000	C	1	BATTERY BOX UNIT	
13	CM1-2241-000	C	1	TRIPOD UNIT	
14	CD3-1476-000	C	1	FRAME, BOTTOM	
15	CD3-0941-000	B	1	BASE, STRAP LEFT	
16	CD3-2734-000	D	1	SHIELD, NOISE	
17	CD3-2466-000	C	1	SPACER, REAR COVER	
18	CD3-2465-000	C	1	PLATE, BOTTOM	
19	CD3-2735-000	D	1	SHIELD, NOISE	
20	CD3-2736-000	D	2	SHIELD, NOISE	
21	CD3-2747-000	D	1	SHIELD, NOISE	
101	XA1-7170-257	F	4	SCREW, CROSS-RECESS, PH	
102	XA1-7170-357	F	2	SCREW, CROSS-RECESS, PH	
103	XA1-7170-507	F	1	SCREW, CROSS-RECESS, PH	
104	XA1-7170-167	F	3	SCREW, CROSS-RECESS, PH	
105	XA1-7170-207	F	4	SCREW, CROSS-RECESS, PH	
106	XA4-9170-407	F	3	SCREW, CROSS-RECESS, PH	
107	CD1-4987-000	F	1	SCREW	
108	XA1-3170-257	F	1	SCREW, CROSS-RECESS, PH	
109	XA1-7170-307	F	2	SCREW, MACH. PANHEAD, M1.7X3	
110	CD3-1748-000	B	2	SCREW	
111	XA1-7170-309	F	1	SCREW, CROSS-RECESS, PH	
112	CD3-0786-000	B	3	SCREW	

Fuse

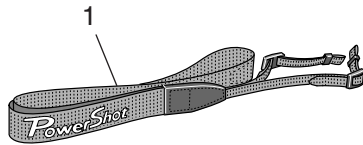


PARTS LIST

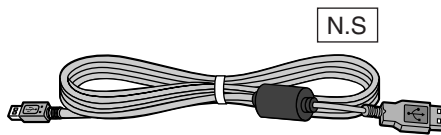
SYMBOL	PARTS NO.	CLASS	QTY	DESCRIPTION	REMARKS
△ 1	CY4-6074-000	C	1	FUSE, MATSU. DENKI UNHS206	

Accessories-1

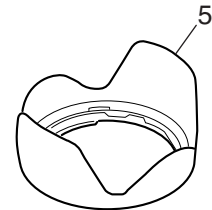
**Neck Strap
NS-DC2**



**USB Interface Cable
IFC-400PCU**



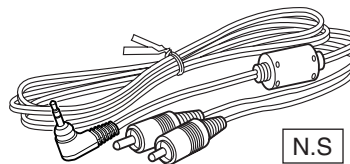
Lens Hood LH-DC10



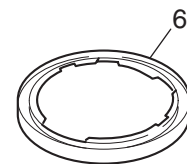
Lens Cap



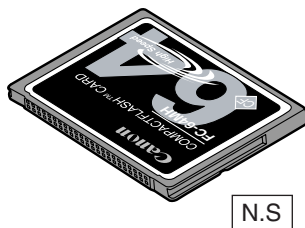
AV Cable AVC-DC300



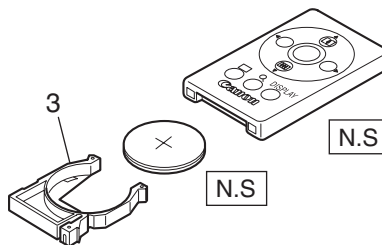
Filter Adapter FA-DC58A



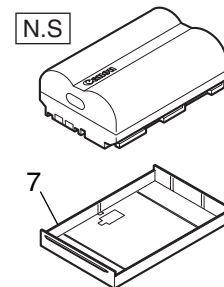
CF Card FC-64MH



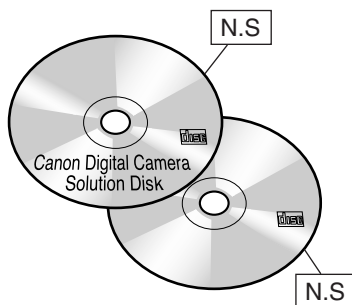
**Wireless Controller
WL-DC100**



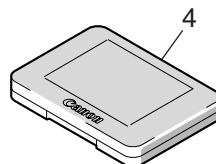
Battery Pack BP-511A



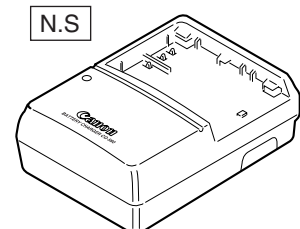
**Canon Digital Camera
Solution Disk,
ArcSoft camera Suite Disk**



CF CASE



Battery Charger CG-580



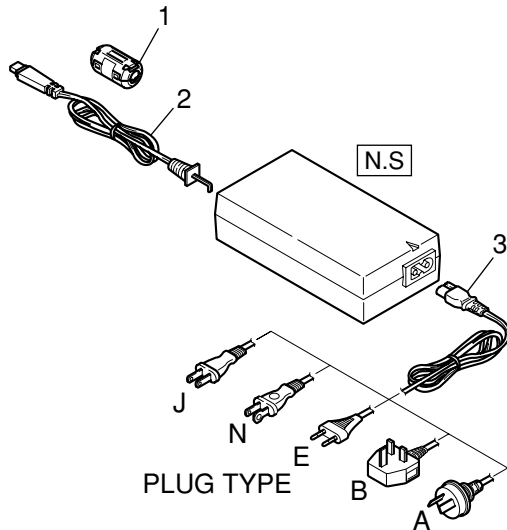
N.S : N.S Stand for No Stock (Product available)

PARTS LIST

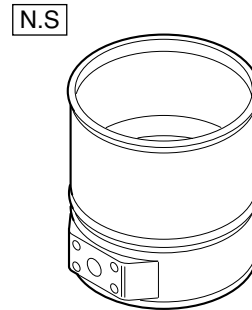
SYMBOL	PARTS NO.	CLASS	QTY	DESCRIPTION	REMARKS
1	C84-1157-000	B	1	STRAP, NECK	
2	C84-1210-000	B	1	LENS CAP UNIT	
3	CY1-6074-000	B	1	HOLDER, BATTERY	
4	FC2-9610-000	B	1	CASE, CF	
5	C84-1207-000	B	1	HOOD, LENS	
6	C84-1208-000	B	1	ADAPTER, FILTER	
7	DA3-1929-000	C	1	COVER, TERMINAL BP-514/BP-511A	

Accessories-2

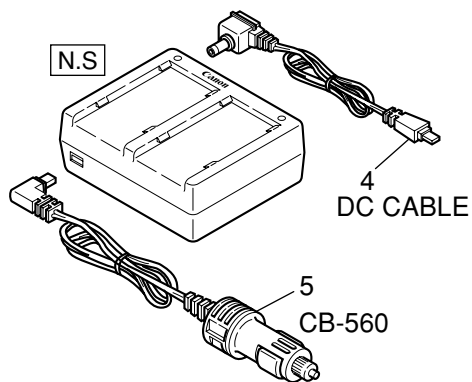
Compact Power Adapter CA-560



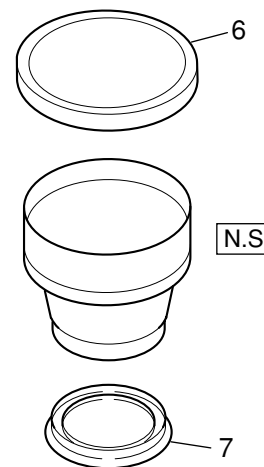
Conversion Lens Adapter LA-DC58C



Charger Adapter/Car Battery Cable Kit CR-560



Tele Converter TC-DC58A



N.S. : N.S Stand for No Stock (Product available)

PARTS LIST

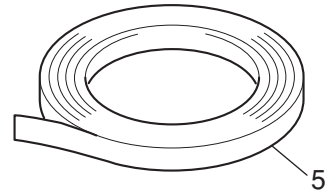
SYMBOL	PARTS NO.	CLASS	QTY	DESCRIPTION	REMARKS
1	D89-0900-000	C	1	CORE, FERRITE	
2	DY4-4763-000	C	1	CORD, DC	
3	D82-0641-000	C	1	CABLE, AC (J)	FOR JAPAN
	WT3-5063-000	C	1	CABLE, AC (N)	FOR USA, CANADA
	D82-0643-000	C	1	CABLE, AC (E)	FOR EUROPE, ASIA
	D82-0644-000	C	1	CABLE, AC (B)	FOR ASIA
	D82-0645-000	C	1	CABLE, AC (A)	FOR AUSTRALIA
4	DY1-8244-000	C	1	DC CABLE	
5	DY1-8243-000	C	1	CAR BATTERY CABLE CB-560	
6	CD3-1844-000	B	1	CAP, FRONT	
7	CD1-4931-000	B	1	CAP, REAR	

Service Tools-1

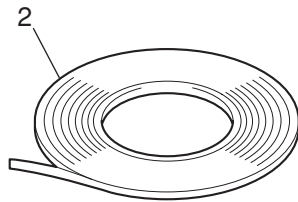
DIA Bond NO.1663G Black



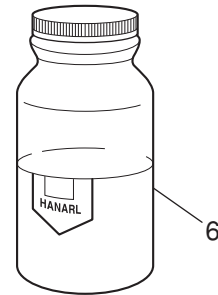
**Adhesive Tape 3M NO.56
(Electric Insulation Tape)**



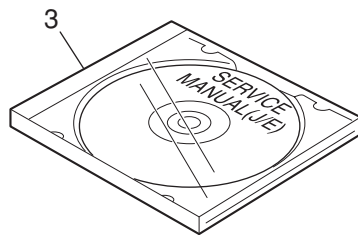
**Adhesive Tape SONY T4000
(Double-side Tape)**



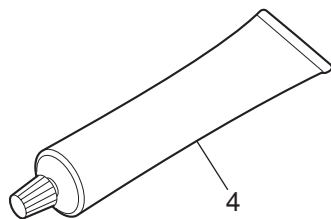
Hanarl FL-778



Service Manual CD-ROM



Silicon Bond KE-471-W

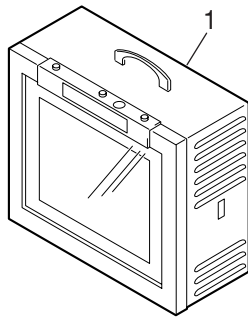


PARTS LIST

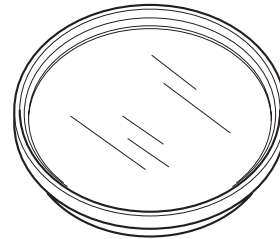
SYMBOL	PARTS NO.	CLASS	QTY	DESCRIPTION	REMARKS
1	CY9-8129-000	Y	1	BOND, DIA BOND NO.1663G BLACK	
2	CY4-6012-000	Y	1	ADHESIVE TAPE, SONY T4000	6mm × 50m roll
3	CY8-4391-031	Y	1	CD-ROM, SERVICE MANUAL (J/E)	
4	CY9-8072-000	Y	1	BOND, KE-471-W, SI.RUBBER	100g
5	CY4-6018-000	Y	1	ADHESIVE TAPE, 3M NO.56	15mm × 66mm roll
6	DY9-3026-010	Y	1	LUBE, HANARL FL-778, OIL	

Service Tools-2

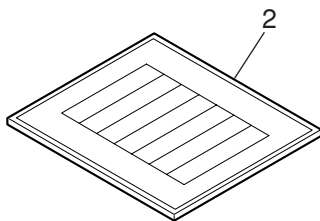
Color Viewer (5500° K)



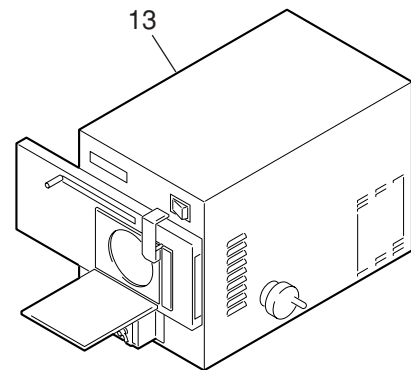
- C-12 Filter _____ 7
- W-10 Filter _____ 8
- FL-W Filter _____ 9
- ND-2 Filter _____ 10
- ND-4 Filter _____ 11
- ND-8 Filter _____ 12



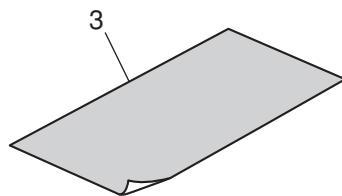
Standard Color Bar Chart



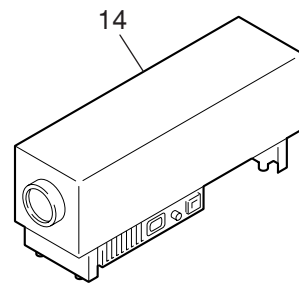
Brightness Box (light source A)



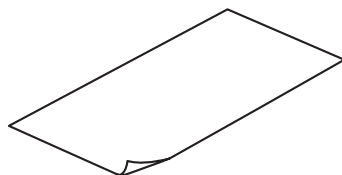
18% Gray Chart



Infinity Collimator



- EXAF Chart (1) _____ 4
- EXAF Chart (2) _____ 5
- AF Chart (1) _____ 6



PARTS LIST

SYMBOL	PARTS NO.	CLASS	QTY	DESCRIPTION	REMARKS
1	CY9-1562-100	Y	1	COLOR VIEWER 5500K	FOR 100~120V AC
	CY9-1562-200	Y	1	COLOR VIEWER 5500K	FOR 200~240V AC
2	DY9-2002-000	Y	1	COLOR BAR CHART	
3	CY9-1563-000	Y	1	CHART, 18% GRAY	
4	CY9-1578-000	Y	1	CHART, EXAF (1)	
5	CY9-1579-000	Y	1	CHART, EXAF (2)	
6	CY9-1580-000	Y	1	CHART, AF (1)	
7	CY9-1555-000	Y	1	FILTER, C-12	
8	CY9-1556-000	Y	2	FILTER, W-10	
9	CY9-1557-000	Y	1	FILTER, FL-W	
10	CY9-1552-000	Y	1	FILTER, ND-2	
11	CY9-1553-000	Y	1	FILTER, ND-4	
12	CY9-1554-000	Y	1	FILTER, ND-8	
13	CY9-1566-100	Y	1	BRIGHTNESS BOX	FOR 100~120V AC
	CY9-1566-200	Y	1	BRIGHTNESS BOX	FOR 200~240V AC
14	CY9-1569-100	Y	1	INFINITY COLLIMATOR	FOR 100~120V AC
	CY9-1569-200	Y	1	INFINITY COLLIMATOR	FOR 200~240V AC